



SIMPLY CONSERVE

POLYCARBONATE LED TUBE

Our Polycarbonate LED Tubes are designed to protect eyesight and improve work efficiency. T8 LEDs offer stable performance that adapts to the main voltage. Our tubes are a unique design so that the whole light is not affected by one LED failure. These tubes are compatible with instant start Electronics ballast. (Not recommended for use with magnetic ballasts.)

THE FEATURES

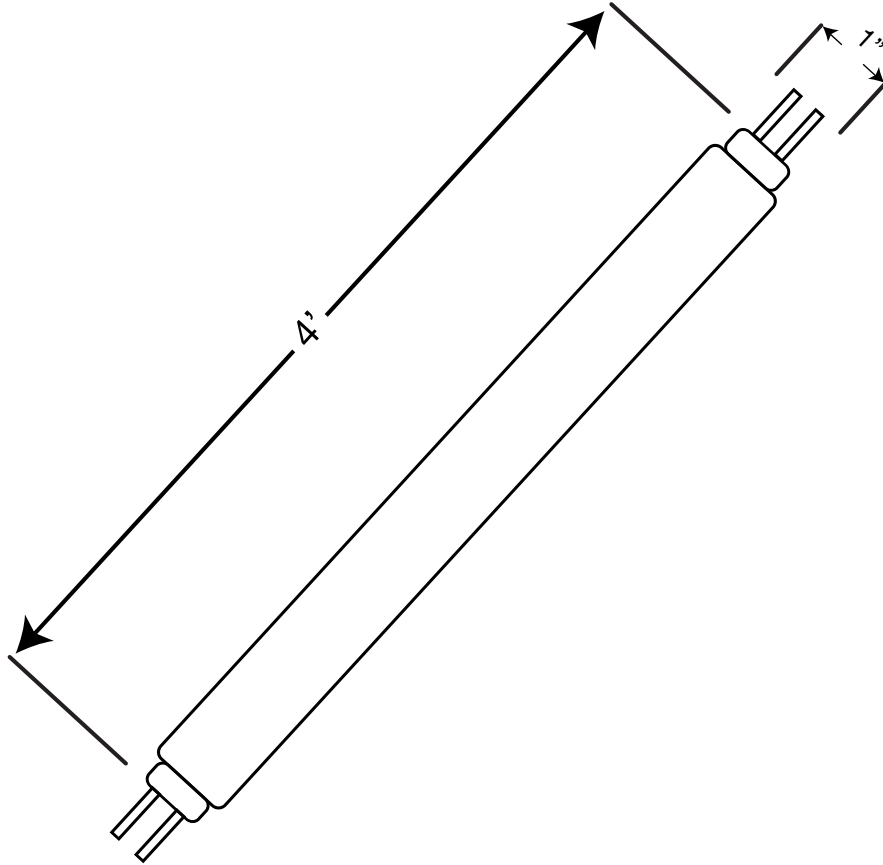
- Specialized glass cover design for optimal light distribution and smooth visual effect
- High quality, patent design end cap
- High-tech optical design
- 5 year warranty***

THE PRODUCT SPECIFICATIONS

- **End of life protection:**
5 year warranty
- **Ballast Type:**
Electronic/Instant Start
- **Input Line Voltage:**
AC100~277V
- **Input Line Frequency:**
50/60HZ
- **Lamp Life (rated):**
50,000 Hours
- **Color Temperature:**
4000K - 5000K
- **Color Rendering Index:**
>83
- **Light Source:**
SMD2835
- **Min. Starting Temperature:**
-20°C
- **Max. Operating Temperature:**
40°C
- **UL/DLC Listed:**
Yes
- **Power Factor:**
>0.95
- **Operating Humidity:**
10%-80%
- **Storage Temperature:**
-30°C to 65°C
- **Storage Humidity:**
10%-80%

MODEL #	WATTS	DIMMABLE	INITIAL LUMENS	COLOR TEMPERATURE	LENGTH	BASE
T81218W3AC2C40D	18w	No	1800LM+10%	4000K	4'	G13
T81218W3AC2C50D	18w	No	1800LM+10%	5000K	4'	G13

THE DIMENSIONS**



*Factors in calculating savings potential:

0.11¢ per kWh (<http://www.business.ftc.gov/documents/bus26-lighting-facts-questions-and-answers-manufacturers>)

**Dimensions are subject to change

***WARRANTY DETAILS

AM Conservation Group, Inc. guarantees to the original purchaser or recipient of this lamp that it is free from defects in material and workmanship for five years from the date of purchase. Warranty is limited to repair or replacement of the lamp. Lamps being returned must include proof of purchase.